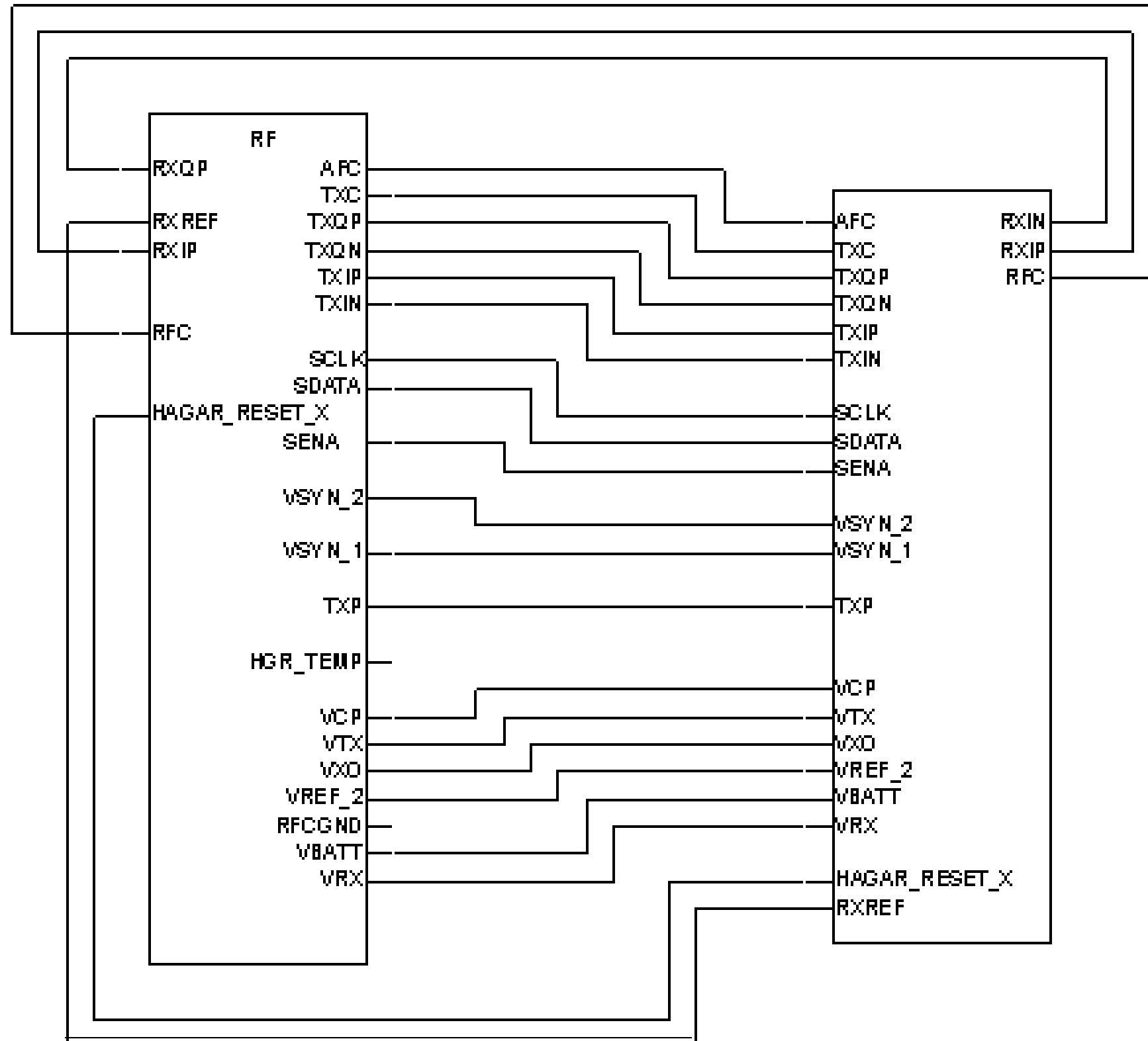
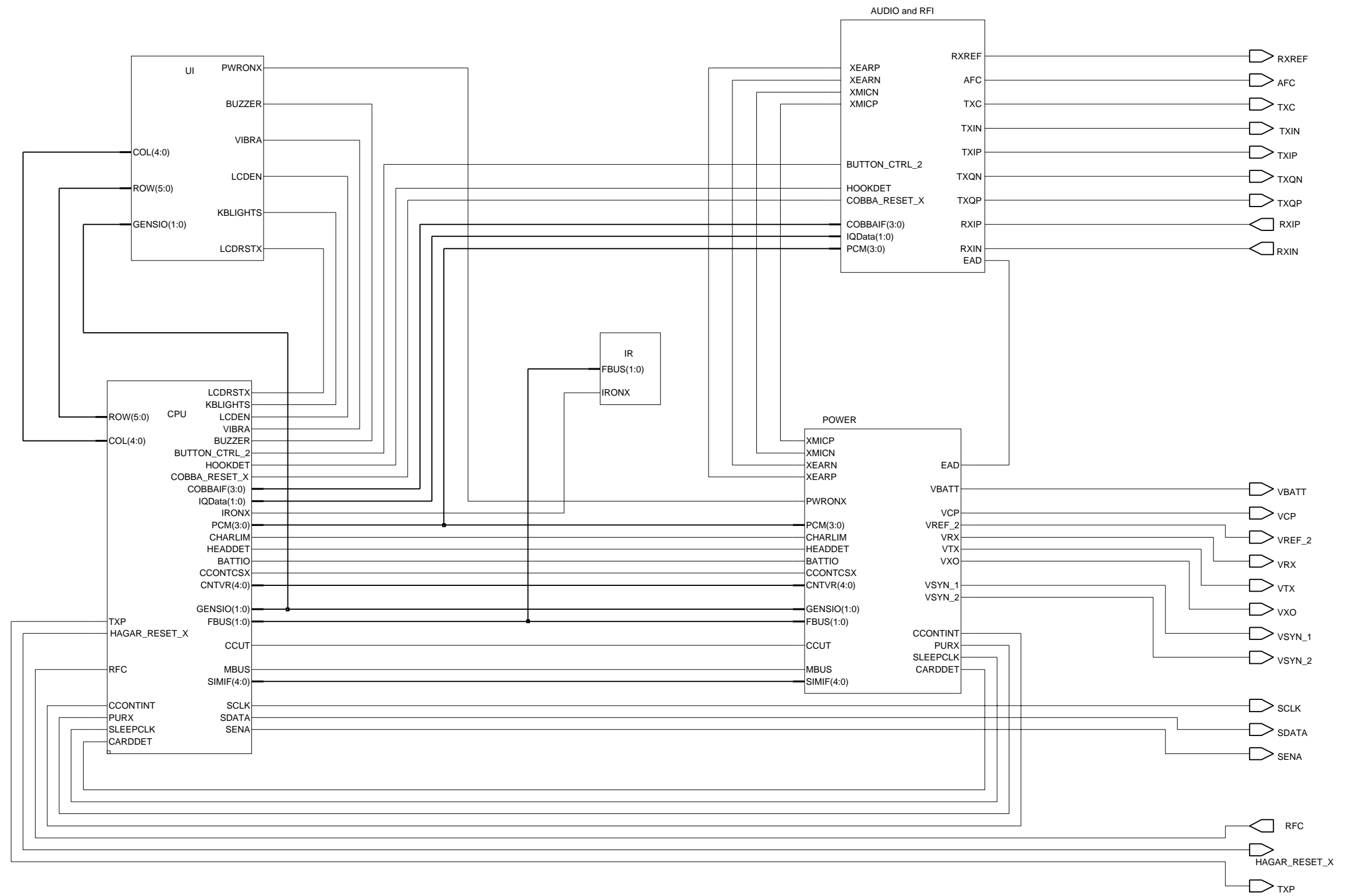


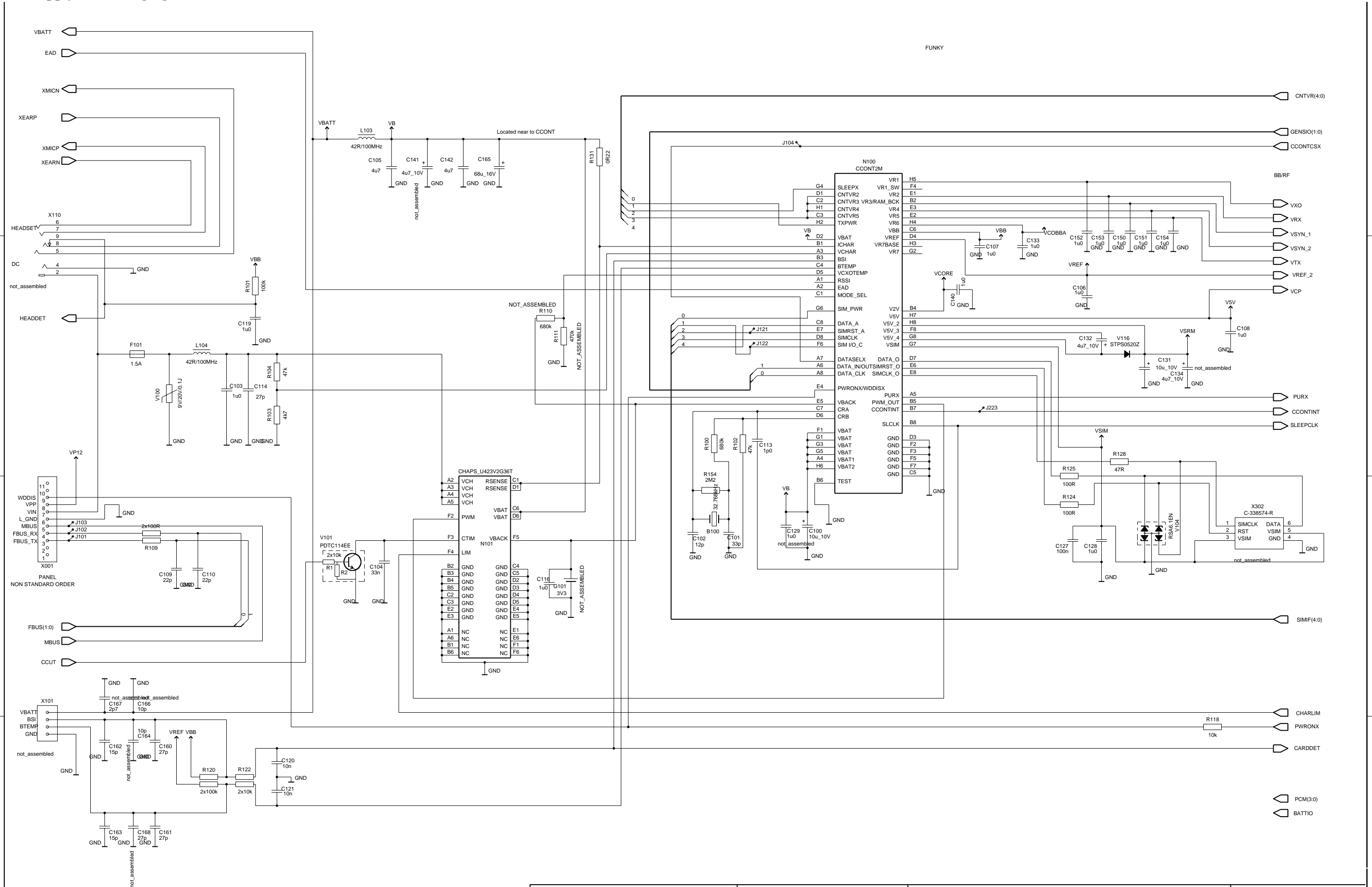
RF & BB



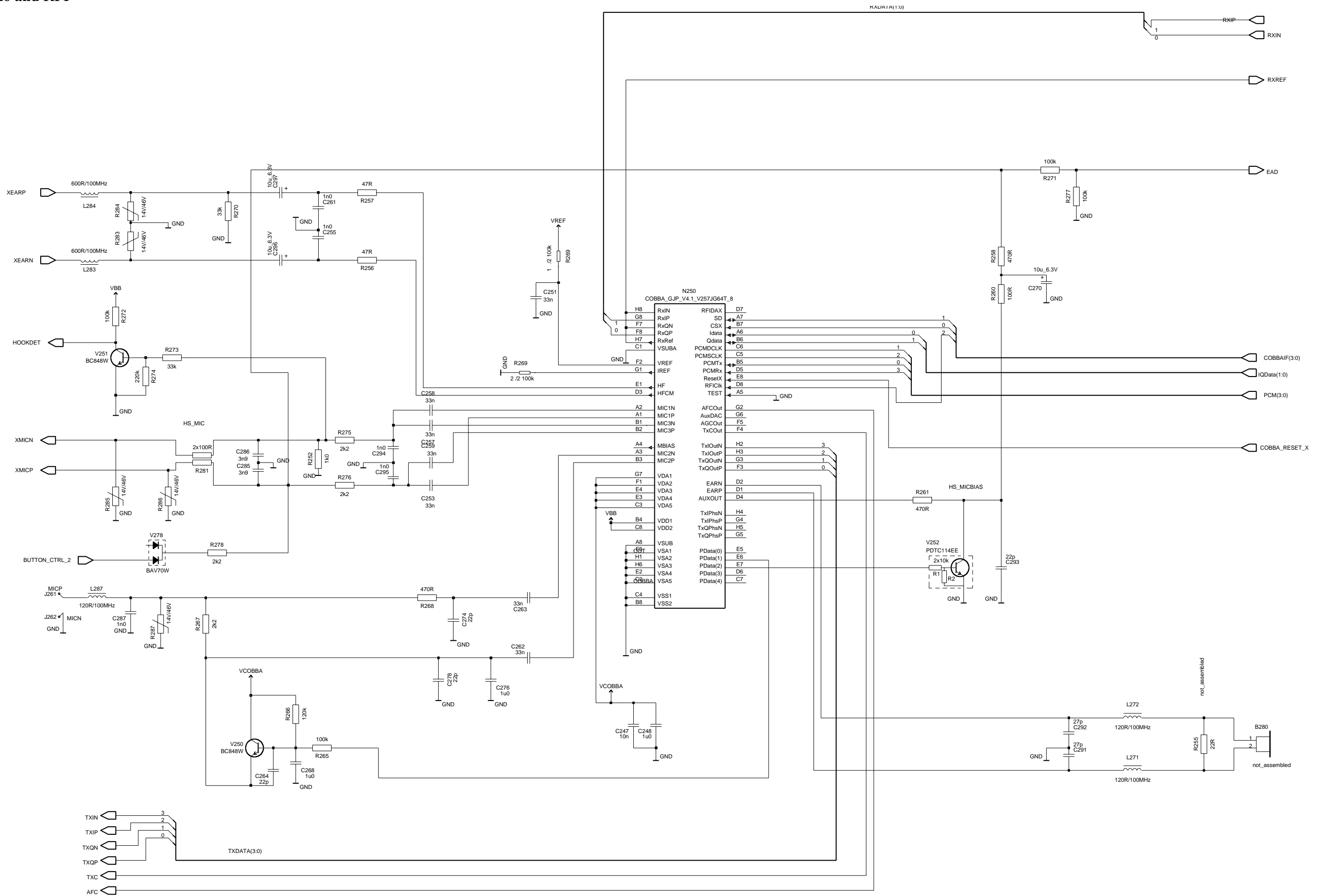
BB Block Connections



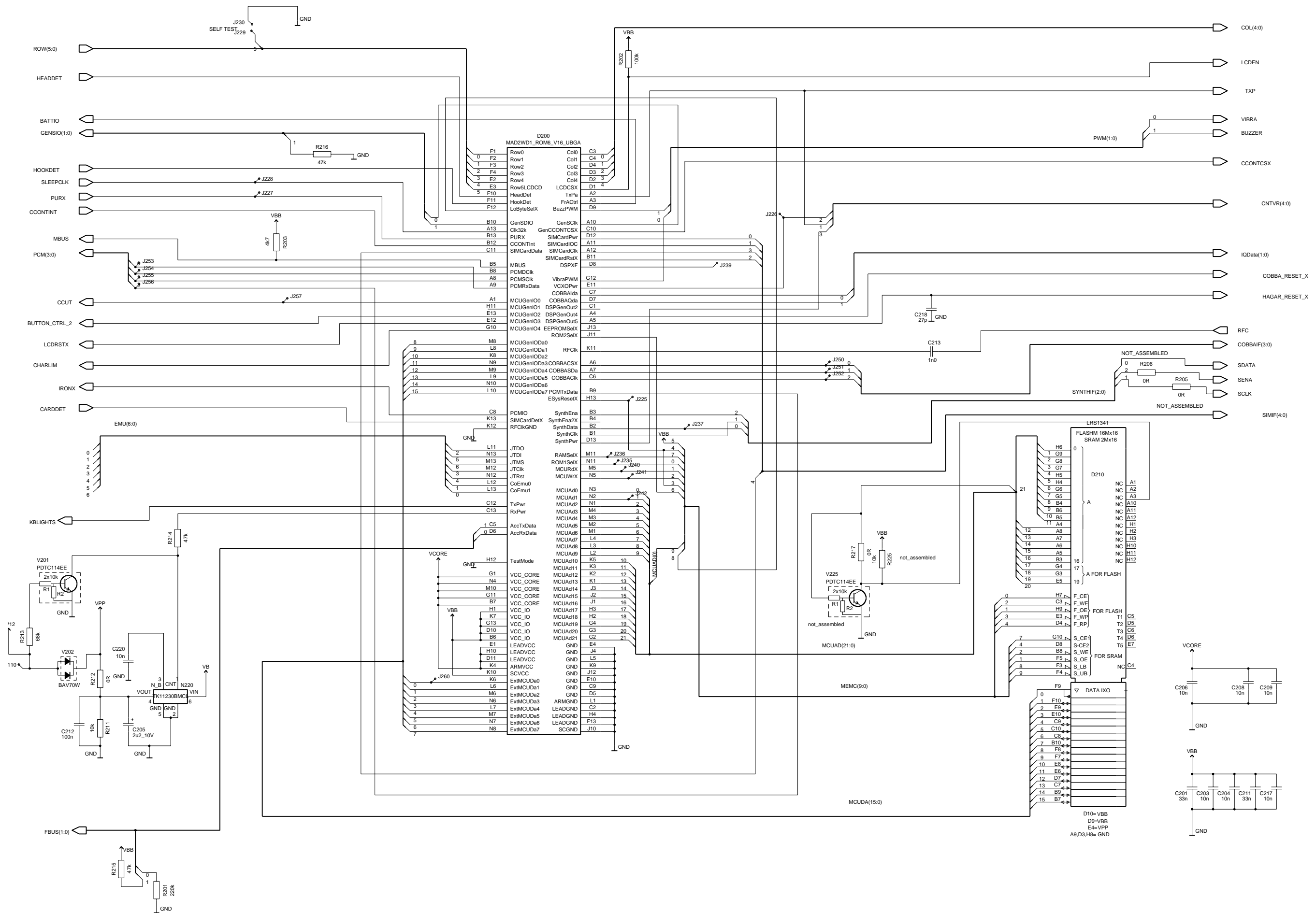
Power Supply and Charging



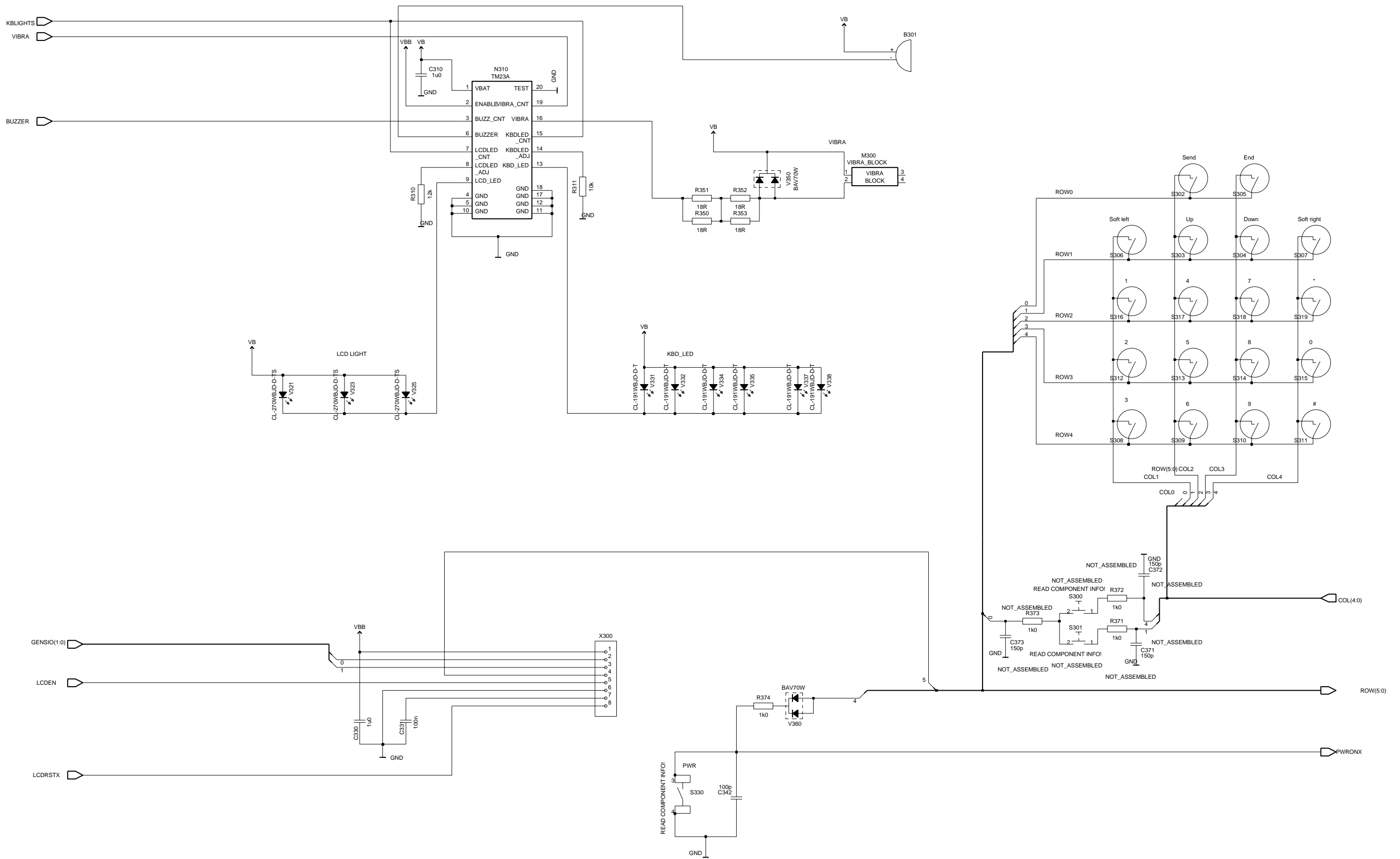
Audio and RFI



CPU



UI



Layout Diagram of DF8 -Bottom

df9_03a_asmdrw_b

